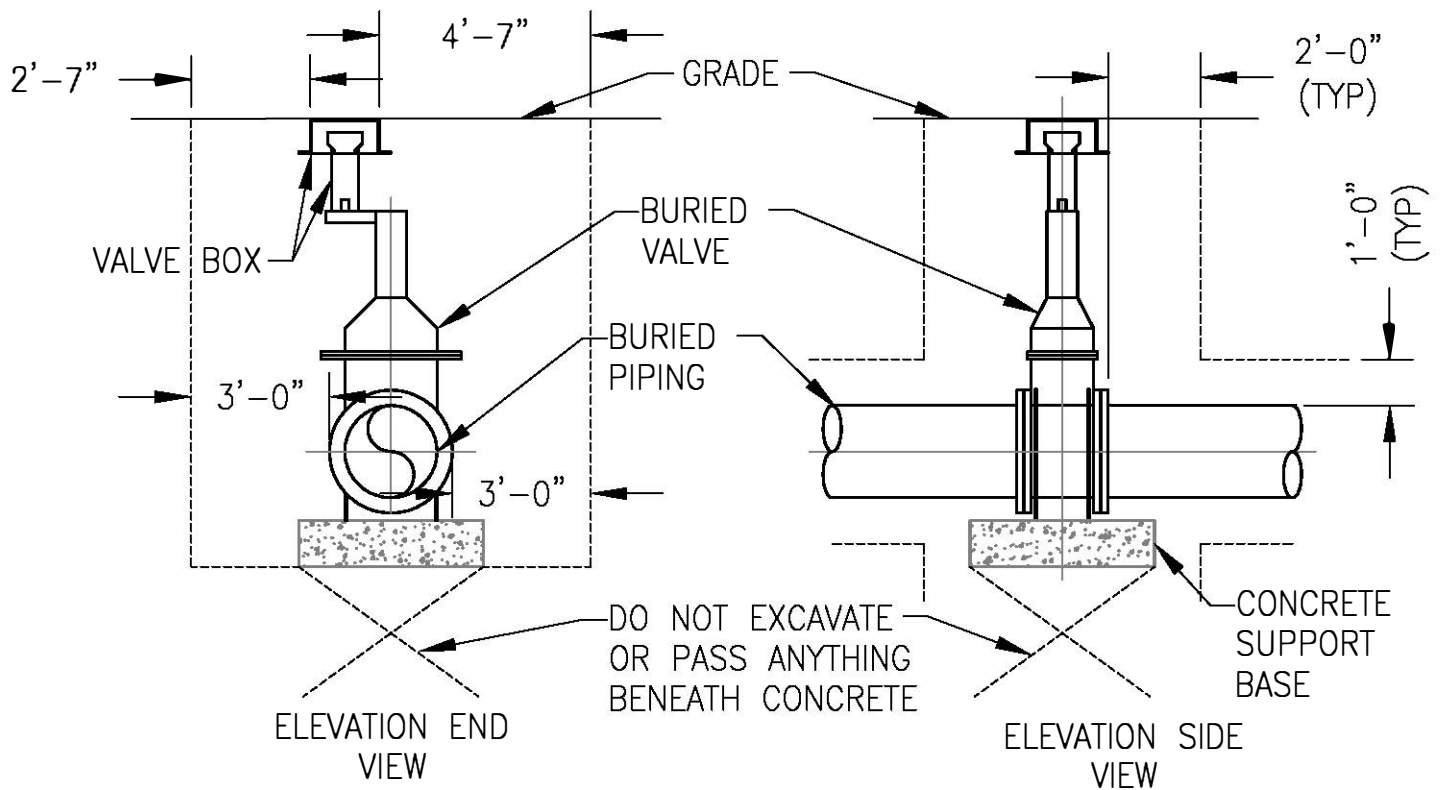
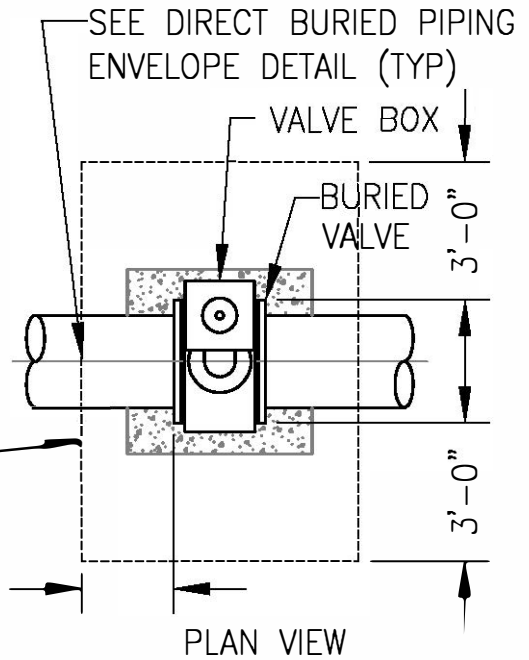


NOTES:

1. SINCE THE LOCATION OF THE VALVE BOX RELATIVE TO THE BURIED VALVE VARIES, THE INITIAL BOUNDARY FOR EXCAVATION SHALL BE CONSIDERED 3'-0" ϕ AROUND THE VALVE BOX.
2. THE SIZES AND ORIENTATION OF THE VALVES AND VALVE BOXES VARIES.
3. CONTACT SYSTEM OPERATOR PRIOR TO EXCAVATION NEAR ANY DES COMPONENT.



THIS DETAIL SHALL NOT BE USED FOR THE CONSTRUCTION OR INSTALLATION OF DIRECT BURIED VALVES.

DRAWING NO.
SK-11

DRAWN:	KLJ	02/27/13
CHECKED:		
APPD.:		
SCALE:	NOT TO SCALE	



**METRO NASHVILLE
DISTRICT ENERGY SYSTEM**

**BURIED ISOLATION
VALVE ENVELOPE**