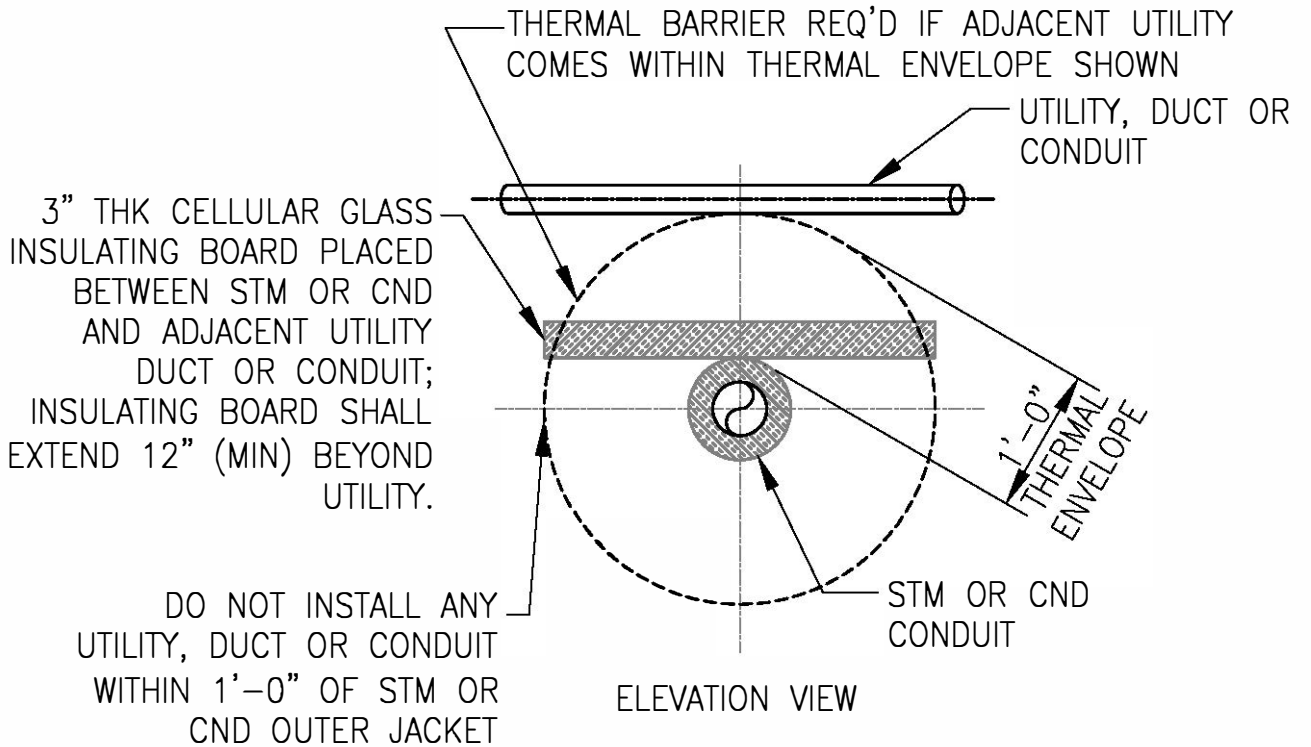
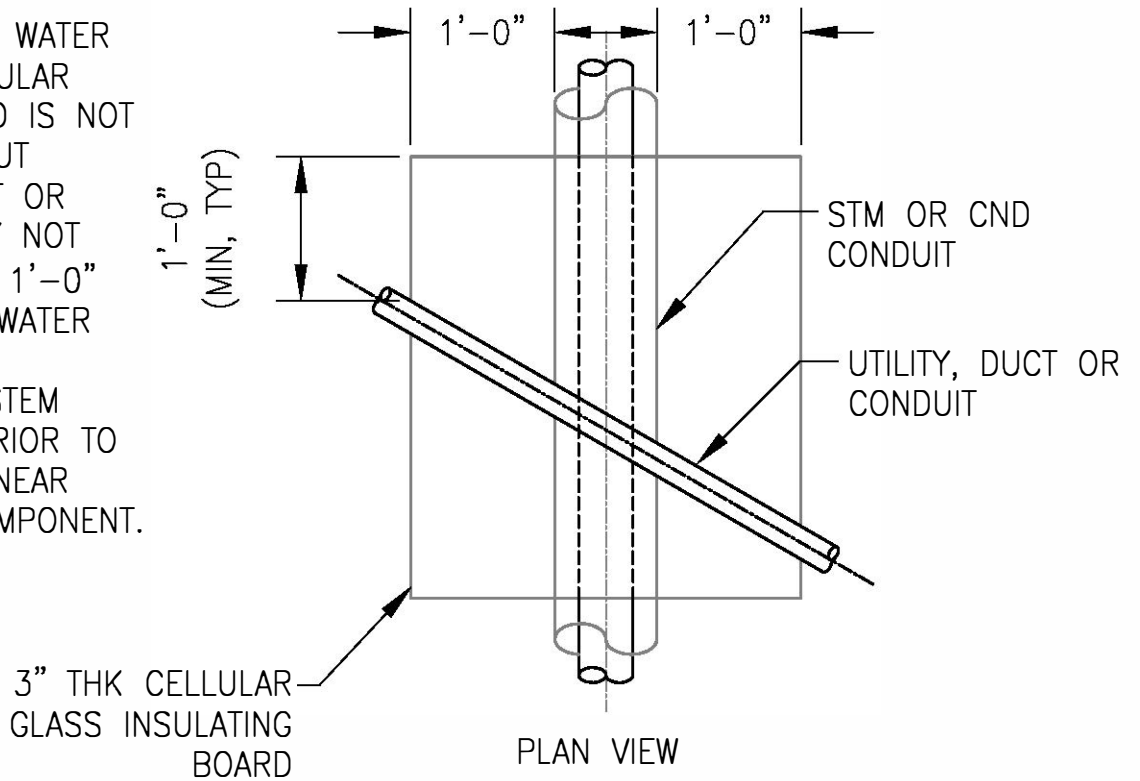


**NOTES:**

1. FOR CHILLED WATER PIPING, CELLULAR GLASS BOARD IS NOT REQUIRED, BUT UTILITY, DUCT OR CONDUIT MAY NOT PASS WITHIN 1'-0" OF CHILLED WATER PIPE JACKET.
2. CONTACT SYSTEM OPERATOR PRIOR TO EXCAVATION NEAR ANY DES COMPONENT.



DRAWING NO.

**SK-10**

DRAWN: KLJ 02/27/13

CHECKED:

APPD.:

SCALE: NOT TO SCALE



**Metro Nashville**  
DISTRICT ENERGY SYSTEM

**METRO NASHVILLE**  
DISTRICT ENERGY SYSTEM

**DIRECT-BURIED**  
PIPING ENVELOPE