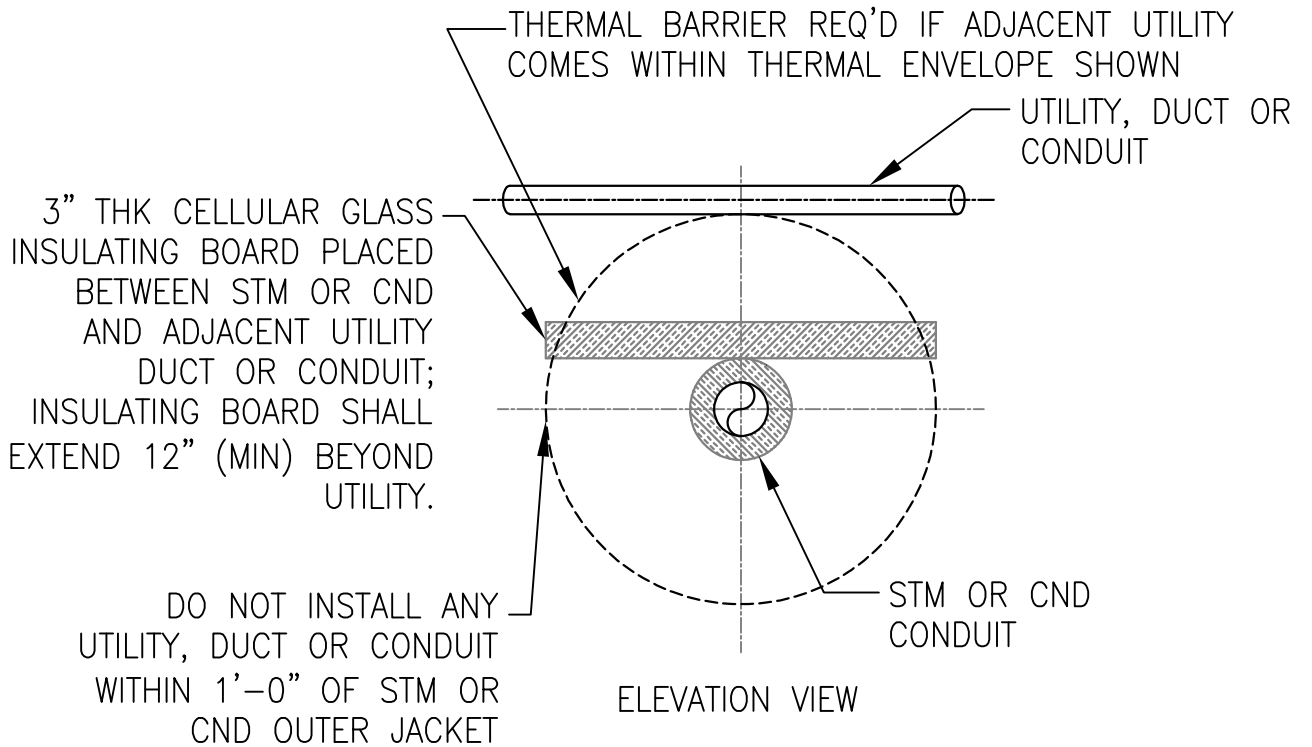
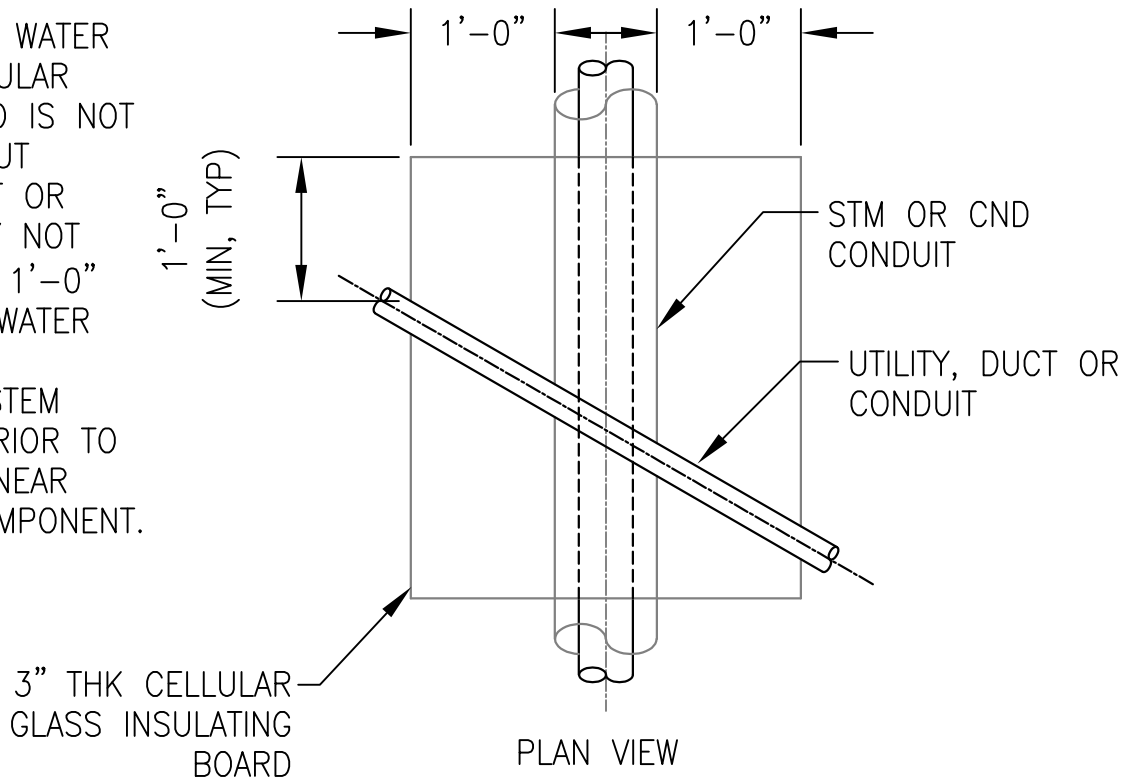


NOTES:

1. FOR CHILLED WATER PIPING, CELLULAR GLASS BOARD IS NOT REQUIRED, BUT UTILITY, DUCT OR CONDUIT MAY NOT PASS WITHIN 1'-0" OF CHILLED WATER PIPE JACKET.
2. CONTACT SYSTEM OPERATOR PRIOR TO EXCAVATION NEAR ANY DES COMPONENT.



DRAWING NO. SK-10		 Metro Nashville DISTRICT ENERGY SYSTEM	METRO NASHVILLE DISTRICT ENERGY SYSTEM	
DRAWN:	KLJ		02/27/13	DIRECT-BURIED PIPING ENVELOPE
CHECKED:				
APPD.:				
SCALE:	NOT TO SCALE			