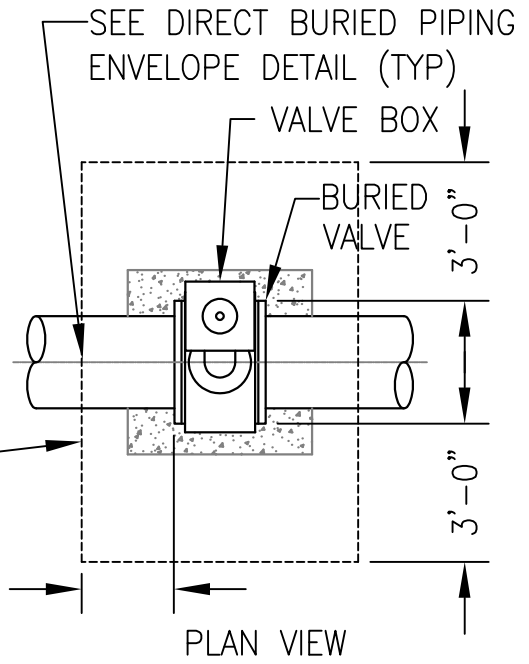


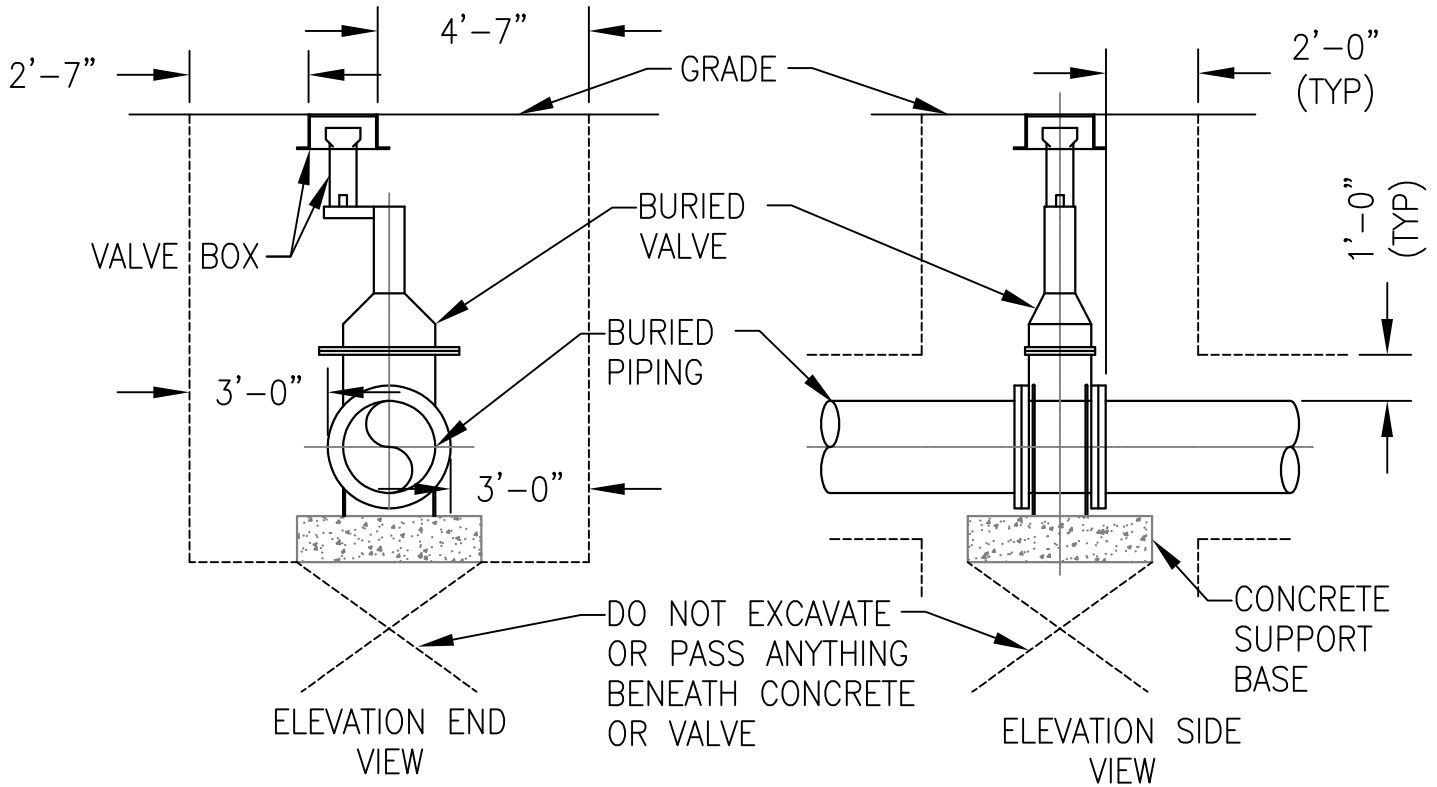
**NOTES:**

1. SINCE THE LOCATION OF THE VALVE BOX RELATIVE TO THE BURIED VALVE VARIES, THE INITIAL BOUNDARY FOR EXCAVATION SHALL BE CONSIDERED 3'-0"Ø AROUND THE VALVE BOX.
2. THE SIZES AND ORIENTATION OF THE VALVES AND VALVE BOXES VARIES.
3. CONTACT SYSTEM OPERATOR PRIOR TO EXCAVATION NEAR ANY DES COMPONENT.



VALVE ENVELOPE BOUNDARY; DO NOT INSTALL ANYTHING WITHIN BOUNDARY (TYP)

2'-0" (TYP)



THIS DETAIL SHALL NOT BE USED FOR THE CONSTRUCTION OR INSTALLATION OF DIRECT BURIED VALVES.

DRAWING NO.

**SK-11**

DRAWN: KLJ 02/27/13

CHECKED:

APPD.:

SCALE: NOT TO SCALE



METRO NASHVILLE DISTRICT ENERGY SYSTEM

BURIED ISOLATION VALVE ENVELOPE